

7. Operating instructions

1)The function keys on the remote are: ON/OFF, DELAY OFF, WHITE, WARM, BRT+, BRT-, SCENE1-2



The remote control ID learning guide: Press ON/OFF button till the light flashes, then press DELAYOFF button, the light flashes again, the ID is set.

Sign	Button	Description
	ON/OFF	Turn on/off the controller, Any button can start the controller at off status
	DELAY OFF	Press this key, it will wait 30 seconds before turning off the light automatically
	WHITE	Press this button to dim to white(cold) color temperature.
	WARM	Press this button to dim to warm color temperature.
	BRT+	Press this button to increase the brightness of the lamp, pressing still to increase brightness continually.
	BRT-	Press this button to decrease the brightness of the lamp, pressing still to decrease brightness continually.
	SCENE1~2	2 DIY scene buttons. Press 2 second to memorize present settings. Press once to replay.

8. After-Sales

From the day you purchase our products within 3 years, if being used properly in accordance with the instruction, and quality problems occur, we provide free repair or replacement services except the following cases:

- 1.Any defects caused by wrong operations.
- 2.Any damages caused by inappropriate power supply or abnormal voltage.
- 3.Any damages caused by unauthorized removal, maintenance, modifying circuit, incorrect connections and replacing chips.
- 4.Any damages due to transportation, breaking, flooded water after the purchase.
- 5.Any damages caused by earthquake, fire, flood, lightning strike etc force majeure of natural disasters.
- 6.Any damages caused by negligence, inappropriate storing at high temperature and humidity environment or near harmful chemicals.
- 7.Product has been updated.

LED Color-Temperature Controller User manual



(Please read through this manual carefully before use)

1. Brief Introduction

This series LED color temperature controller(C&T controller) is a universal high-performance C&T controller, which adopted the most advanced PWM (Pulse-Width Modulation) digital brightness-adjusting. Changing the color temperature by adjusting two

2. Specifications

Model	Constant current 350mA	Constant current 700mA
Input voltage	DC12V-48V	DC12V-48V
Max load current	350MA/CH×2	700MA/CH×2
Driving LEDs/CH	12V: 1-3pcs 1W LED 24V: 1-6pcs 1W LED 36V: 1-9pcs 1W LED 48V: 1-12pcs 1W LED	12V: 1-3pcs 3W LED 24V: 1-6pcs 3W LED 36V: 1-9pcs 3W LED 48V: 1-12pcs 3W LED
Output signal	Constant current PWM	Constant current PWM
Dimming range	0-100%	0-100%
Scale levels	4096 Levels/CHx2	4096 Levels/CHx2
Switch Dimension	L125×W45×H36(mm)	L125×W45×H36(mm)
Weight (G.W)	140g	140g

3. Basic Features

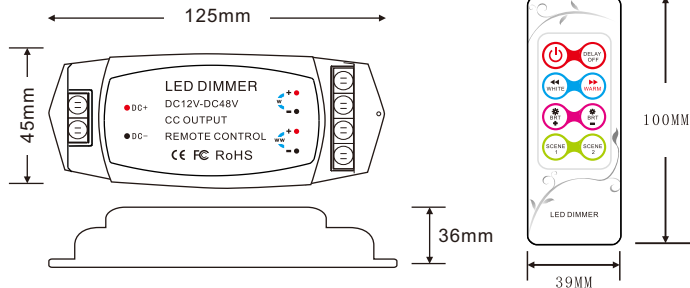
1. Automatically adapt to LED light which works from DC12V-48V.
2. Real 0~100% brightness adjust, 4096 scale levels. Lamplight soft and stable, without flicker, precisely control color temperatures

- 3.2 channel outputs with Max 350mA or 700mA constant current. Working with power repeater to expand power output unlimitedly.
- 4.2 DIY modes. Easy to replay your favorite settings
- 5.Small size, flexible to install.
- 6.Power loss memory function.

4. Safety warnings

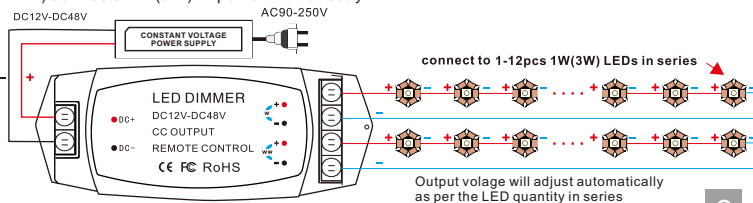
- Please don't install this controller in lightning, intense magnetic and high-voltage fields.
- 1.To reduce the risk of component damage and fire caused by short circuit, make sure correct connection
  - 2.Always be sure to mount this unit in an area that will allow proper ventilation to ensure a fitting temperature.
  - 3.Check if the voltage and power adapter suit the controller (please select DC12-48V power supply with constant voltage)
  - 4.Don't connect cables with power on; make sure a correct connection and no short circuit checked with instrument before power on.
  - 5.Please don't open controller cover and operate if problems occur. The manual is only suitable for this model; any update is subject to change without prior notice.

5. Dimensions

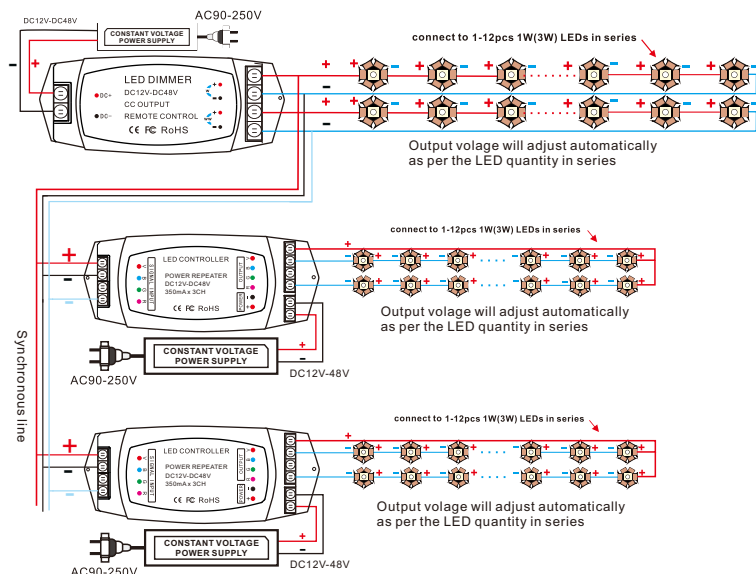


6. Conjunction Diagram

1)Connects 1W (3W) hi-power LED directly



2. It can connect with series to extend power.



Note:Only connects with two different color temperature lights, can adjust the color temperature.It can connect with power repeater series to extend power.